

<b>TEST REPORT</b> <b>EN 62133-2</b> <b>Secondary cells and batteries containing alkaline or other non-acid electrolytes</b> <b>– Safety requirements for portable sealed secondary cells, and for batteries made</b> <b>from them, for use in portable applications</b> <b>– Part 2:Lithium systems</b>	
<b>Report Number</b> .....	RHDTL260310034
<b>Date of issue</b> .....	2026.03.27
<b>Total number of pages</b> .....	24 pages
<b>Tested by (name + signature)</b> .....	QiaoLi Chen <i>Qiao Li Chen</i>
<b>Reviewed by (name + signature)</b> .....	Zhipeng Liu <i>Brian Liu</i>
<b>Approved by (name + signature)</b> .....	Chris zhao <i>Chris zhao</i>
<b>Testing Laboratory Name</b> .....	Dongguan HDTL Technology Co., Ltd.
<b>Address</b> .....	Room 101, Building 1, No. 5 of Jinzhong Road, Dongcheng Street, Dongguan City, Guangdong Province, China.
<b>Applicant's name</b> .....	Zhengzhou Bushuo E-commerce Co., Ltd.
<b>Address</b> .....	No. 402, Unit 2, Building 1, Xigenghe Home, Hanghaixilu Street, Zhongyuan District, Zhengzhou City, Henan Province, China
<b>Test specification:</b>	
<b>Standard</b> .....	<input type="checkbox"/> IEC 62133-2:2017, IEC 62133-2:2017/AMD1:2021 <input checked="" type="checkbox"/> EN 62133:2017, EN 62133-2:2017/AMD1:2021
<b>Test item description</b> .....	Portable Charger
<b>Trade Mark</b> .....	/
<b>Manufacturer</b> .....	Zhengzhou Bushuo E-commerce Co., Ltd.
<b>Address</b> .....	No. 402, Unit 2, Building 1, Xigenghe Home, Hanghaixilu Street, Zhongyuan District, Zhengzhou City, Henan Province, China
<b>Model/Type reference</b> .....	N20
<b>Ratings</b> .....	3.7V 5000mAh 185Wh

**List of Attachments (including a total number of pages in each attachment):**

--

**Summary of testing:**

The unit is charging the empty cell and discharging the full charged cell according to the rating.

Note:

Charging procedures for test purposes:

- (1) Unless otherwise stated, the charging procedure for test purposes is carried out in an ambient temperature of  $20\pm 5^{\circ}\text{C}$ , using the method declared by the manufacturer. Prior to charging, the battery/cell shall have been discharged at  $20\pm 5^{\circ}\text{C}$  at a constant current of 0.2 It A down to a specified final voltage.
- (2) After stabilization for 1 to 4 hours respectively at ambient temperature of highest test temperature  $45^{\circ}\text{C}$  and lowest test temperature  $0^{\circ}\text{C}$ .

**Tests performed (name of test and test clause):**

clause 7.2.1 Continuous charging at constant voltage (cells)  
 clause 7.2.2 Case stress at high ambient temperature (battery)  
 clause 7.3.1 External short-circuit (cell)  
 clause 7.3.2 External short circuit (battery)  
 clause 7.3.3 Free fall  
 clause 7.3.4 Thermal abuse (cells)  
 clause 7.3.5 Crush (cells)  
 clause 7.3.6 Over-charging of battery  
 clause 7.3.7 Forced discharge (cells)  
 clause 7.3.8.1 Vibration  
 clause 7.3.8.2 Mechanical shock  
 clause 7.3.9 Forced internal short circuit (cells)

The samples comply with the requirements of EN 62133-2:2017, EN 62133-2:2017/AMD1:2021.

**Testing location:**

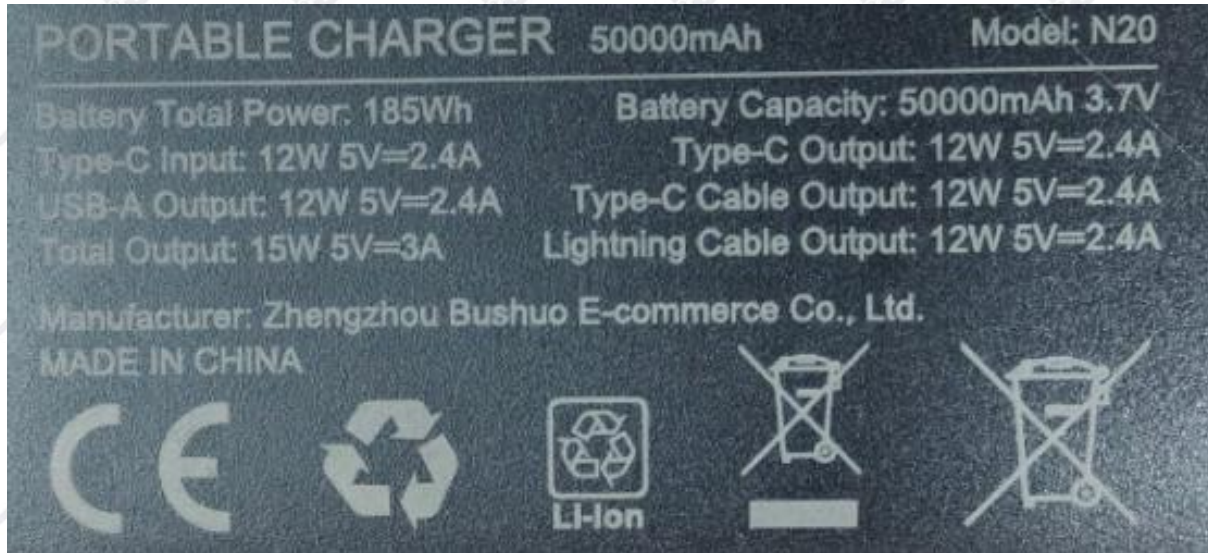
Dongguan HDTL Technology Co., Ltd.  
 Room 101, Building 1, No. 5 of Jinzhong Road,  
 Dongcheng Street, Dongguan City, Guangdong  
 Province, China.

**Summary of compliance with National Differences (List of countries addressed):**

The product fulfils the requirements of IEC 62133-2:2017+AMD1:2021;  
 EN 62133-2:2017+AMD1:2021.

**Copy of marking plate:**

The artwork below may be only a draft. The use of certification marks on a product must be authorized by the respective NCBs that own these marks.



Remark: "YYYYMMDD" represents the date of manufacture. "DD" represents the day, "MM" represents the month, "YY" represents the year.

<b>Test item particulars.....</b>	: Portable Charger
<b>Classification of installation and use.....</b>	: To be defined in final product
<b>Supply connection.....</b>	: DC Charger
<b>Recommend charging method declared by the manufacturer.....</b>	: 5V---2.4A
<b>Discharge current .....</b>	: 2.4A
<b>Maximum discharging current.....</b>	: 2.4A
<b>Specified final voltage.....</b>	: --
<b>Recommend of charging limit for lithium system</b>	
<b>Maximum charging current.....</b>	: 2.4A
<b>Upper limit charging voltage per cell.....</b>	: 4.2V
<b>Charging temperature upper limit.....</b>	: 45°C
<b>Charging temperature lower limit.....</b>	: 0°C
<b>Polymer cell electrolyte type.....</b>	: <input type="checkbox"/> gel polymer..... <input type="checkbox"/> solid polymer <input checked="" type="checkbox"/> N/A
<b>Possible test case verdicts:</b>	
- test case does not apply to the test object.....	: N/A
- test object does meet the requirement.....	: P (Pass)
- test object does not meet the requirement.....	: F (Fail)
<b>Testing.....</b>	
<b>Date of receipt of test item.....</b>	: 2026.03.10
<b>Date (s) of performance of tests.....</b>	: 2026.03.10 ~ 2026.03.27
<b>General remarks:</b>	
The test results presented in this report relate only to the object tested. This report shall not be reproduced, except in full, without the written approval of the Issuing testing laboratory. "(See Enclosure #)" refers to additional information appended to the report. "(See appended table)" refers to a table appended to the report.	
<b>Throughout this report a <input type="checkbox"/> comma / <input checked="" type="checkbox"/> point is used as the decimal separator.</b>	
<b>General product information:</b>	
1. The maximum ambient temperature is specified as 45°C for Charging and 60°C for Discharging.	

**General product information:**

The battery is composed of 2 lithium-ion Cell(1S2P), and the battery has passed the standard EN 62133-2:2017+AMD1:2021.

The main features of the battery are shown as below (clause 7.1.1):

Model	Nominal capacity	Nominal voltage	Nominal Charge Current	Nominal Discharge Current	Maximum Charge Current	Maximum Discharge Current	Maximum Charge Voltage	Cut-off Voltage
N20	50000mAh	3.7V	5V===2.4A	5V===2.4A	5V===2.4A	5V===2.4A	5V	--

The main features of the battery are shown as below (clause 7.1.2):

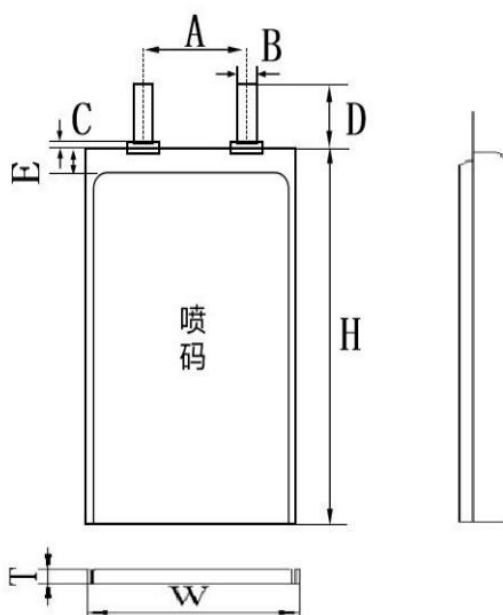
Model	Upper limit charge voltage	Taper-off current	Lower charge temperature	Upper charge temperature
N20	5V	200mA	0°C	45°C

The main features of the cell are shown as below (clause 7.1.1):

Model	Nominal capacity	Nominal voltage	Nominal Charge Current	Nominal Discharge Current	Maximum Charge Current	Maximum Discharge Current	Maximum Charge Voltage	Cut-off Voltage
126280	25000mAh	3.7V	5000mA	5000mA	25000mA	25000mA	4.2V	3V

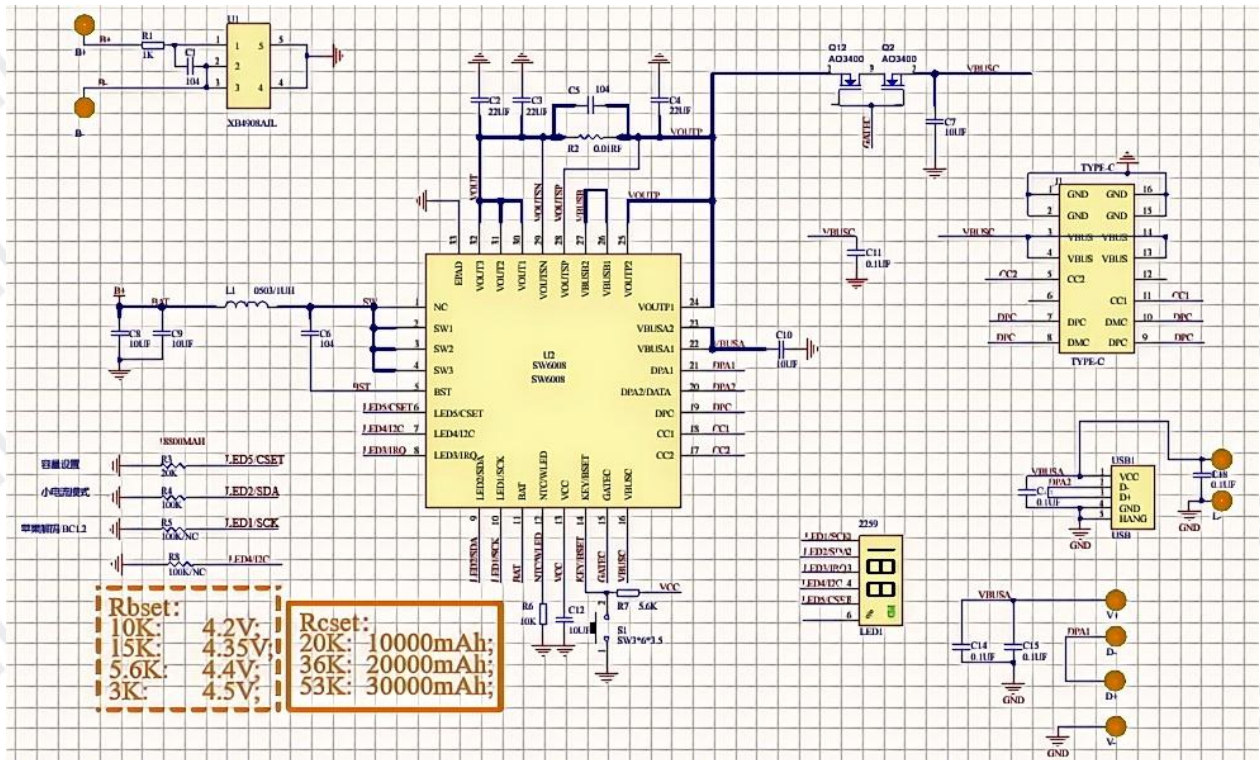
The main features of the cell are shown as below (clause 7.1.2):

Model	Upper limit charge voltage	Taper-off current	Lower charge temperature	Upper charge temperature
126280	4.2V	200mA	0°C	45°C

**Construction:**


Items 项目	Dimension 尺寸	Description 描述
T	12.00mm Max	Thickness 厚度(不含胶纸)
W	62.20mm Max	Width 宽度(单折边)
H	80.7mm Max	Height 电芯高度
A	35.0±2.0mm	Tab distance 极耳中心距
B	6.0±0.2mm	Tab width 极耳宽度
C	0.2~2.0mm	Sealant Length 极耳胶外露尺寸
D	10±2.0mm	裁极耳尺寸(含极耳胶)
E	2.5±0.5mm	Top sealing length 顶边宽度

Circuit diagram:



EN 62133-2			
Clause	Requirement + Test	Result - Remark	Verdict
<b>4</b>	<b>PARAMETER MEASUREMENT TOLERANCES</b>		P
	Parameter measurement tolerances		P
<b>5</b>	<b>GENERAL SAFETY CONSIDERATIONS</b>		P
<b>5.1</b>	<b>General</b>		P
	Cells and batteries so designed and constructed that they are safe under conditions of both intended use and reasonably foreseeable misuse		P
<b>5.2</b>	<b>Insulation and wiring</b>		P
	The insulation resistance between the positive terminal and externally exposed metal surfaces of the battery (excluding electrical contact surfaces) is not less than 5 MΩ		P
	Insulation resistance (MΩ)..... :		—
	Internal wiring and insulation are sufficient to withstand maximum anticipated current, voltage and temperature requirements		P
	Orientation of wiring maintains adequate clearance and creepage distances between conductors		P
	Mechanical integrity of internal connections accommodates reasonably foreseeable misuse		P
<b>5.3</b>	<b>Venting</b>		P
	Battery cases and cells incorporate a pressure relief mechanism or are constructed so that they relieve excessive internal pressure at a value and rate that will preclude rupture, explosion and self-ignition		P
	Encapsulation used to support cells within an outer casing does not cause the battery to overheat during normal operation nor inhibit pressure relief		N/A
<b>5.4</b>	<b>Temperature, voltage and current management</b>		P
	Batteries are designed such that abnormal temperature rise conditions are prevented	Overcharge, over discharge, over current and short-circuit proof circuit used in this battery. See tests of clause 7.	P
	Batteries are designed to be within temperature, voltage and current limits specified by the cell manufacturer	See above.	P
	Batteries are provided with specifications and charging instructions for equipment manufacturers so that specified chargers are designed to maintain charging within the temperature, voltage and current limits specified	The charging limits specified in the user manual.	P
<b>5.5</b>	<b>Terminal contacts</b>		P

EN 62133-2			
Clause	Requirement + Test	Result - Remark	Verdict
	The size and shape of the terminal contacts ensure that they can carry the maximum anticipated current		P
	External terminal contact surfaces are formed from conductive materials with good mechanical strength and corrosion resistance		P
	Terminal contacts are arranged to minimize the risk of short-circuit		P
<b>5.6</b>	<b>Assembly of cells into batteries</b>		P
5.6.1	General		P
	Each battery have an independent control and protection for current, voltage, temperature and any other parameter required for safety and to maintain the cells within their operating region	1S2P	P
	This protection may be provided external to the battery such as within the charger or the end devices		P
	If protection is external to the battery, the manufacturer of the battery provide this safety relevant information to the external device manufacturer for implementation		P
	If there is more than one battery housed in a single battery case, each battery have protective circuitry that can maintain the cells within their operating regions		N/A
	Manufacturers of cells specify current, voltage and temperature limits so that the battery manufacturer/designer may ensure proper design and assembly	Current, voltage and temperature limits specified by cell manufacturer.	P
	Batteries that are designed for the selective discharge of a portion of their series connected cells incorporate circuitry to prevent operation of cells outside the limits specified by the cell manufacturer		N/A
	Protective circuit components added as appropriate and consideration given to the end-device application		P
	The manufacturer of the battery provide a safety analysis of the battery safety circuitry with a test report including a fault analysis of the protection circuit under both charging and discharging conditions confirming the compliance		N/A
5.6.2	Design recommendation		P
	For the battery consisting of a single cell or a single cellblock, it is recommended that the charging voltage of the cell does not exceed the upper limit of the charging voltage specified in Table 2	charging voltage: 4.2V not exceed 4.2V.	P

EN 62133-2			
Clause	Requirement + Test	Result - Remark	Verdict
	For the battery consisting of series-connected plural single cells or series-connected plural cellblocks, it is recommended that the voltages of any one of the single cells or single cellblocks does not exceed the upper limit of the charging voltage, specified in Table 2, by monitoring the voltage of every single cell or the single cellblocks		N/A
	For the battery consisting of series-connected plural single cells or series-connected plural cellblocks, it is recommended that charging is stopped when the upper limit of the charging voltage is exceeded for any one of the single cells or single cellblocks by measuring the voltage of every single cell or the single cellblocks		N/A
	For batteries consisting of series-connected cells or cell blocks, nominal charge voltage not be counted as an overcharge protection		N/A
	For batteries consisting of series-connected cells or cell blocks, cells have closely matched capacities, be of the same design, be of the same chemistry and be from the same manufacturer		N/A
	It is recommended that the cells and cell blocks not discharged beyond the cell manufacturer's specified final voltage		P
	For batteries consisting of series-connected cells or cell blocks, cell balancing circuitry incorporated into the battery management system		N/A
5.6.3	Mechanical protection for cells and components of batteries		N/A
	Mechanical protection for cells, cell connections and control circuits within the battery provided to prevent damage as a result of intended use and reasonably foreseeable misuse		N/A
	The mechanical protection can be provided by the battery case or it can be provided by the end product enclosure for those batteries intended for building into an end product		N/A
	The battery case and compartments housing cells designed to accommodate cell dimensional tolerances during charging and discharging as recommended by the cell manufacturer		N/A
	For batteries intended for building into a portable end product, testing with the battery installed within the end product considered when conducting mechanical tests		N/A
5.7	<b>Quality plan</b>		P

EN 62133-2			
Clause	Requirement + Test	Result - Remark	Verdict
	The manufacturer prepares and implements a quality plan that defines procedures for the inspection of materials, components, cells and batteries and which covers the whole process of producing each type of cell or battery	Complied. ISO 9001: 2008 certificate provided.	P
<b>5.8</b>	<b>Battery safety components</b>		P
	According annex F		P

<b>6</b>	<b>TYPE TEST AND SAMPLE SIZE</b>		P
	Tests are made with the number of cells or batteries specified in Table 1 using cells or batteries that are not more than six months old		P
	Coin cells with resistance $\leq 3 \Omega$ (measured according annex D) are tested according table 1	Not coin cells	N/A
	Unless otherwise specified, tests are carried out in an ambient temperature of $20 \text{ }^\circ\text{C} \pm 5 \text{ }^\circ\text{C}$		P
	The safety analysis of 5.6.1 identify those components of the protection circuit that are critical for short-circuit, overcharge and overdischarge protection		P
	When conducting the short-circuit test, consideration given to the simulation of any single fault condition that is likely to occur in the protecting circuit that would affect the short-circuit test		P

<b>7</b>	<b>SPECIFIC REQUIREMENTS AND TESTS</b>		P
<b>7.1</b>	<b>Charging procedure for test purposes</b>		P
7.1.1	First procedure		P
	This charging procedure applies to subclauses other than those specified in 7.1.2		P
	Unless otherwise stated in this document, the charging procedure for test purposes is carried out in an ambient temperature of $20 \text{ }^\circ\text{C} \pm 5 \text{ }^\circ\text{C}$ , using the method declared by the manufacturer		P
	Prior to charging, the battery have been discharged at $20 \text{ }^\circ\text{C} \pm 5 \text{ }^\circ\text{C}$ at a constant current of 0,2 It A down to a specified final voltage		P
7.1.2	Second procedure		P
	This charging procedure applies only to 7.3.1, 7.3.4, 7.3.5, and 7.3.9	Upper charge temperature: 45°C  Lower charge temperature: 0°C	P

EN 62133-2			
Clause	Requirement + Test	Result - Remark	Verdict
	After stabilization for 1 h and 4 h, respectively, at ambient temperature of highest test temperature and lowest test temperature, as specified in Table 2, cells are charged by using the upper limit charging voltage and maximum charging current, until the charging current is reduced to 0,05 It A, using a constant voltage charging method		P
<b>7.2</b>	<b>Intended use</b>		P
7.2.1	Continuous charging at constant voltage (cells)	Cell test report provided.	N/A
	Fully charged cells are subjected for 7 days to a charge using the charging method for current and standard voltage specified by the cell manufacturer		N/A
	Results: No fire. No explosion. No leakage..... :	(See appended table 7.2.1)	N/A
7.2.2	Case stress at high ambient temperature (battery)		P
	Oven temperature (°C)..... :	70°C	P
	Results: No physical distortion of the battery case resulting in exposure of internal protective components and cells	The shell remains undistorted	P
<b>7.3</b>	<b>Reasonably foreseeable misuse</b>		P
7.3.1	External short-circuit (cell)	Tested complied.	P
	The cells were tested until one of the following occurred:		P
	- 24 hours elapsed; or		N/A
	- The case temperature declined by 20 % of the maximum temperature rise		P
	Results: No fire. No explosion..... :	(See appended table 7.3.1)	P
7.3.2	External short-circuit (battery)	Tested complied.	P
	The batteries were tested until one of the following occurred:		P
	- 24 hours elapsed; or		P
	- The case temperature declined by 20 % of the maximum temperature rise		P
	In case of rapid decline in short circuit current, the battery pack remained on test for an additional one hour after the current reached a low end steady state condition		N/A
	A single fault in the discharge protection circuit conducted on one to four (depending upon the protection circuit) of the five samples before conducting the short-circuit test	Single fault conducted on three samples.	P

EN 62133-2			
Clause	Requirement + Test	Result - Remark	Verdict
	A single fault applies to protective component parts such as MOSFET, fuse, thermostat or positive temperature coefficient (PTC) thermistor	Single fault: U2	P
	Results: No fire. No explosion..... :	(See appended table 7.3.2)	P
7.3.3	Free fall	Tested complied.	P
	Results: No fire. No explosion	No fire. No explosion	P
7.3.4	Thermal abuse (cells)	Tested complied.	P
	Oven temperature (°C)..... :	130°C	—
	Results: No fire. No explosion	No fire. No explosion	P
7.3.5	Crush (cells)	Tested complied.	P
	The crushing force was released upon:		P
	- The maximum force of 13 kN ± 0,78 kN has been applied; or		P
	- An abrupt voltage drop of one-third of the original voltage has been obtained		N/A
	Results: No fire. No explosion..... :	(See appended table 7.3.5)	P
7.3.6	Over-charging of battery		P
	The supply voltage which is:		P
	- 1,4 times the upper limit charging voltage presented in Table A.1 (but not to exceed 6,0 V) for single cell/cell block batteries or	1S2P	P
	- 1,2 times the upper limit charging voltage resented in Table A.1 per cell for series connected multi-cell batteries, and		N/A
	- Sufficient to maintain a current of 2,0 It A throughout the duration of the test or until the supply voltage is reached		P
	Test was continued until the temperature of the outer casing:		P
	- Reached steady state conditions (less than 10 °C change in 30-minute period); or		N/A
	- Returned to ambient		P
	Results: No fire. No explosion..... :	(See appended table 7.3.6)	P
7.3.7	Forced discharge (cells)	Tested complied.	P
	If the discharge voltage reaches the negative value of upper limit charging voltage within the testing duration, the voltage is maintained at the negative value of the upper limit charging voltage by reducing the current for the remainder of the testing duration		P

EN 62133-2			
Clause	Requirement + Test	Result - Remark	Verdict
	If the discharge voltage does not reach the negative value of upper limit charging voltage within the testing duration, the test is terminated at the end of the testing duration		N/A
	Results: No fire. No explosion..... :	(See appended table 7.3.7)	P
7.3.8	Mechanical tests (batteries)		P
7.3.8.1	Vibration	Tested complied.	P
	Results: No fire, no explosion, no rupture, no leakage or venting..... :	(See appended table 7.3.8.1)	P
7.3.8.2	Mechanical shock	Tested complied.	P
	Results: No leakage, no venting, no rupture, no explosion and no fire..... :	(See appended table 7.3.8.2)	P
7.3.9	Design evaluation – Forced internal short-circuit (cells)	Tested complied.	P
	The cells complied with national requirement for..... :	France, Japan, Korea and Switzerland.	—
	The pressing was stopped upon:		P
	- A voltage drop of 50 mV has been detected; or		N/A
	- The pressing force of 800 N (cylindrical cells) or 400 N (prismatic cells) has been reached	400 N (prismatic cells)	P
	Results: No fire..... :	(See appended table 7.3.9)	P

<b>8</b>	<b>INFORMATION FOR SAFETY</b>		P
<b>8.1</b>	<b>General</b>		P
	Manufacturers of secondary cells ensure that information is provided about current, voltage and temperature limits of their products	Information for safety mentioned in manufacturer's specifications.	P
	Manufacturers of batteries ensure that equipment manufacturers and, in the case of direct sales, end-users are provided with information to minimize and mitigate hazards	Information for safety mentioned in manufacturer's specifications.	P
	Systems analyses performed by device manufacturers to ensure that a particular battery design prevents hazards from occurring during use of a product		N/A
	As appropriate, any information relating to hazard avoidance resulting from a system analysis provided to the end user		N/A
	Do not allow children to replace batteries without adult supervision		P
<b>8.2</b>	<b>Small cell and battery safety information</b>	Small cell and battery.	P

EN 62133-2			
Clause	Requirement + Test	Result - Remark	Verdict
	The following warning language is to be provided with the information packaged with the small cells and batteries or equipment using them:		P
	- Keep small cells and batteries which are considered swallowable out of the reach of children		P
	- Swallowing may lead to burns, perforation of soft tissue, and death. Severe burns can occur within 2 h of ingestion		P
	- In case of ingestion of a cell or battery, seek medical assistance promptly		P
<b>9</b>	<b>MARKING</b>		P
<b>9.1</b>	<b>Cell marking</b>	The final product is battery	N/A
	Cells marked as specified in IEC 61960, except coin cells		N/A
	Coin cells whose external surface area is too small to accommodate the markings on the cells show the designation and polarity		N/A
	By agreement between the cell manufacturer and the battery and/or end product manufacturer, component cells used in the manufacture of a battery need not be marked		N/A
<b>9.2</b>	<b>Battery marking</b>		P
	Batteries marked as specified in IEC 61960, except for coin batteries	Battery marked as specified in IEC 61960-3: 2017	P
	Coin batteries whose external surface area is too small to accommodate the markings on the batteries show the designation and polarity. Batteries also marked with an appropriate caution statement	Not coin battery	N/A
	Terminals have clear polarity marking on the external surface of the battery	Red+ Black-	P
	Batteries with keyed external connectors designed for connection to specific end products need not be marked with polarity markings if the design of the external connector prevents reverse polarity connections		P
<b>9.3</b>	<b>Caution for ingestion of small cells and batteries</b>	Small cell and battery.	P
	Coin cells and batteries identified as small batteries according to 8.2 include a caution statement regarding the hazards of ingestion in accordance with 8.2		P

EN 62133-2			
Clause	Requirement + Test	Result - Remark	Verdict
	When small cells and batteries are intended for direct sale in consumer-replaceable applications, caution for ingestion given on the immediate package		P
<b>9.4</b>	<b>Other information</b>		P
	Storage and disposal instructions	Information for storage and disposal instructions mentioned in manufacturer's specifications.	P
	Recommended charging instructions	Information for recommended charging instructions mentioned in manufacturer's specifications.	P

<b>10</b>	<b>PACKAGING AND TRANSPORT</b>		P
	Packaging for coin cells not small enough to fit within the limits of the ingestion gauge of Figure 3	Not coin cells.	N/A
	The materials and packaging design are chosen so as to prevent the development of unintentional electrical conduction, corrosion of the terminals and ingress of environmental contaminants		P

<b>ANNEX A</b>	<b>CHARGING AND DISCHARGING RANGE OF SECONDARY LITHIUM ION CELLS FOR SAFE USE</b>		P
<b>A.1</b>	<b>General</b>		P
<b>A.2</b>	<b>Safety of lithium ion secondary battery</b>		P
<b>A.3</b>	<b>Consideration on charging voltage</b>		P
A.3.1	General		P
A.3.2	Upper limit charging voltage	4.2V	P
A.3.2.1	General		P
A.3.2.2	Explanation of safety viewpoint		P
A.3.2.3	Safety requirements, when different upper limit charging voltage is applied	4.2V	P
<b>A.4</b>	<b>Consideration of temperature and charging current</b>		P
A.4.1	General		P
A.4.2	Recommended temperature range	See A.4.2.2.	P
A.4.2.1	General		P
A.4.2.2	Safety consideration when a different recommended temperature range is applied		N/A

EN 62133-2			
Clause	Requirement + Test	Result - Remark	Verdict
A.4.3	High temperature range	High temperature is 45°C	N/A
A.4.3.1	General		N/A
A.4.3.2	Explanation of safety viewpoint		N/A
A.4.3.3	Safety considerations when specifying charging conditions in the high temperature range		N/A
A.4.3.4	Safety considerations when specifying a new upper limit in the high temperature range		N/A
A.4.4	Low temperature range	Low temperature is 0°C	N/A
A.4.4.1	General		N/A
A.4.4.2	Explanation of safety viewpoint		N/A
A.4.4.3	Safety considerations, when specifying charging conditions in the low temperature range		N/A
A.4.4.4	Safety considerations when specifying a new lower limit in the low temperature range		N/A
A.4.5	Scope of the application of charging current		P
A.4.6	Consideration of discharge		P
A.4.6.1	General		P
A.4.6.2	Final discharge voltage and explanation of safety viewpoint		P
A.4.6.3	Discharge current and temperature range		P
A.4.6.4	Scope of application of the discharging current		P
<b>A.5</b>	<b>Sample preparation</b>		P
A.5.1	General		P
A.5.2	Insertion procedure for nickel particle to generate internal short		P
A.5.3	Disassembly of charged cell		P
A.5.4	Shape of nickel particle		P
A.5.5	Insertion of nickel particle in cylindrical cell		N/A
A.5.5.1	Insertion of nickel particle in winding core		N/A
A.5.5.2	Marking the position of the nickel particle on both ends of the winding core of the separator		N/A
A.5.6	Insertion of nickel particle in prismatic cell		P
<b>A.6</b>	<b>Experimental procedure of the forced internal short-circuit test</b>		P
A.6.1	Material and tools for preparation of nickel particle		P
A.6.2	Example of a nickel particle preparation procedure		P
A.6.3	Positioning (or placement) of a nickel particle		P

EN 62133-2			
Clause	Requirement + Test	Result - Remark	Verdict
A.6.4	Damaged separator precaution		P
A.6.5	Caution for rewinding separator and electrode		P
A.6.6	Insulation film for preventing short-circuit		P
A.6.7	Caution when disassembling a cell		P
A.6.8	Protective equipment for safety		P
A.6.9	Caution in the case of fire during disassembling		P
A.6.10	Caution for the disassembling process and pressing the electrode core		P
A.6.11	Recommended specifications for the pressing device		P
<b>ANNEX B</b>	<b>RECOMMENDATIONS TO EQUIPMENT MANUFACTURERS AND BATTERY ASSEMBLERS</b>		P
<b>ANNEX C</b>	<b>RECOMMENDATIONS TO THE END-USERS</b>		P
<b>ANNEX D</b>	<b>MEASUREMENT OF THE INTERNAL AC RESISTANCE FOR COIN CELLS</b>		N/A
<b>D.1</b>	<b>General</b>	Not coin cells.	N/A
<b>D.2</b>	<b>Method</b>		N/A
	A sample size of three coin cells is required for this measurement.....:	(See appended table D.2)	N/A
	Coin cells with an internal resistance of less than or equal to 3 $\Omega$ are subjected to the testing according to Clause 6 and Table 1		N/A
	Coin cells with an internal resistance greater than 3 $\Omega$ require no further testing		N/A
<b>ANNEX E</b>	<b>PACKAGING AND TRANSPORT</b>		N/A

--	TABLE: Critical components information				P
Object/part no.	Manufacturer/ trademark	Type/model	Technical data	Standard	Mark(s) of conformity <sup>1)</sup>
PCB	Interchangeable	Interchangeable	Min. V-0, Min. 130°C	UL 94 UL 796,	UL
Protective IC (U1)	Interchangeable	Interchangeable	Overcharge detection voltage: 4.2V±0.15V, Overdischarge detection voltage: 3V±0.15V	--	Tested with appliance
MOS(U2)	Interchangeable	Interchangeable	VDS: 4.2V, VGS: ±20V,	--	Tested with appliance
NTC	Interchangeable	Interchangeable	25°C Minimum 5.0A, 3Ω	--	Tested with appliance
Cell					
Cell	126280	GANZHOU TUIOYUAN NEW ENERGY CO.,LTO.	3.7V 25000mAh	EN 62133- 2:2017/AM D1:2017	--
<b>Supplementary information:</b>					
<sup>1)</sup> Provided evidence ensures the agreed level of compliance.					

7.2.1	TABLE: Continuous charging at constant voltage (cells)				P
Sample no.	Recommended charging voltage Vc (Vdc)	Recommended charging current I <sub>rec</sub> (mA)	OCV before test (Vdc)	Results	
Cell #1	4.20	5000	4.18	P	
Cell #2	4.20	5000	4.18	P	
Cell #3	4.20	5000	4.19	P	
Cell #4	4.20	5000	4.18	P	
Cell #5	4.20	5000	4.17	P	
<b>Supplementary information:</b>					
- No fire or explosion					
- No leakage					

7.3.1	TABLE: External short-circuit (cell)					P
Sample no.	Ambient T (°C)	OCV before test (Vdc)	Resistance of circuit (mΩ)	Maximum case temperature rise $\Delta T$ , °C	Results	
<b>Samples charged at charging temperature upper limit (45°C)</b>						
Cell #6	55.4	4.18	80.2	104.5	P	
Cell #7	55.3	4.18	80.4	99.6	P	
Cell #8	55.1	4.19	80.3	100.1	P	
Cell #9	55.1	4.18	80.3	101.7	P	
Cell #10	55.2	4.17	80.4	98.8	P	
<b>Samples charged at charging temperature lower limit (0°C)</b>						
Cell #11	55.5	4.12	80.6	101.2	P	
Cell #12	55.4	4.11	80.4	98.8	P	
Cell #13	55.2	4.13	80.4	92.3	P	
Cell #14	55.3	4.12	80.3	104.8	P	
Cell #15	55.4	4.13	80.3	99.7	P	
<b>Supplementary information:</b>						
- No fire or explosion						

7.3.2		TABLE: External short-circuit (battery)					P
Sample no.	Ambient T (°C)	OCV before test (Vdc)	Resistance of circuit (mΩ)	Maximum case temperature rise $\Delta T$ , °C	Component single fault condition	Results	
Battery #1	23.6	5.14	80.2	28.4	U1	P	
Battery #2	23.2	5.15	80.6	28.8	U1	P	
Battery #3	23.5	5.15	80.3	27.7	U1	P	
Battery #4	23.4	5.15	80.5	26.7	U1	P	
Battery #5	23.2	5.16	80.5	23.8	--	P	
<b>Supplementary information:</b>							
- No fire or explosion							

7.3.5		TABLE: Crush (cells)			P
Sample no.	OCV before test (Vdc)	OCV at removal of crushing force (Vdc)	Maximum force applied to the cell during crush (kN)	Results	
<b>Samples charged at charging temperature upper limit (45°C)</b>					
Cell #16	4.18	4.18	13.1	P	
Cell #17	4.18	4.18	13.2	P	
Cell #18	4.19	4.19	13.4	P	
Cell #19	4.18	4.18	13.4	P	
Cell #20	4.17	4.17	13.3	P	
<b>Samples charged at charging temperature lower limit (0°C)</b>					
Cell #21	4.12	4.12	13.1	P	
Cell #22	4.11	4.11	13.4	P	
Cell #23	4.13	4.13	13.3	P	
Cell #24	4.12	4.12	13.4	P	
Cell #25	4.13	4.13	13.3	P	
<b>Supplementary information:</b>					
- No fire or explosion					

7.3.6 TABLE: Over-charging of battery				P
Constant charging current (A) :		100		—
Supply voltage (Vdc) :		6.0		—
Sample no.	OCV before charging (Vdc)	Total charging time (minute)	Maximum outer case temperature (°C)	Results
Battery #6	4.23	120	46.1	P
Battery #7	4.27	120	49.8	P
Battery #8	4.23	120	42.5	P
Battery #9	4.22	120	48.6	P
Battery #10	4.24	120	47.4	P
<b>Supplementary information:</b>				
- No fire or explosion				

7.3.7 TABLE: Forced discharge (cells)				P
Sample no.	OCV before application of reverse charge (Vdc)	Measured reverse charge $I_t$ (A)	Lower limit discharge voltage (Vdc)	Results
Cell #26	3.27	25.0	-4.2	P
Cell #27	3.28	25.0	-4.2	P
Cell #28	3.21	25.0	-4.2	P
Cell #29	3.24	25.0	-4.2	P
Cell #30	3.25	25.0	-4.2	P
<b>Supplementary information:</b>				
- No fire or explosion				

7.3.8.1 TABLE: Vibration					P
Sample no.	OCV before test (Vdc)	OCV after test (Vdc)	Mass before test (g)	Mass after test (g)	Results
Battery #11	5.15	5.15	321.732	321.732	P
Battery #12	5.14	5.14	321.720	321.718	P
Battery #13	5.14	5.14	321.769	321.768	P
<b>Supplementary information:</b>					
- No fire or explosion					
- No rupture					
- No leakage					
- No venting					

7.3.8.2 TABLE: Mechanical shock					P
Sample no.	OCV before test (Vdc)	OCV after test (Vdc)	Mass before test (g)	Mass after test (g)	Results
Battery #14	5.14	5.14	321.747	321.744	P
Battery #15	5.14	5.13	321.721	321.716	P
Battery #16	5.13	5.13	321.785	321.782	P

**Supplementary information:**

- No fire or explosion
- No rupture
- No leakage
- No venting

7.3.9 TABLE: Forced internal short circuit (cells)					P
Sample no.	Chamber ambient T (°C)	OCV before test (Vdc)	Particle location <sup>1)</sup>	Maximum applied pressure (N)	Results
<b>Samples charged at charging temperature upper limit (45°C)</b>					
Cell #31	45	4.18	1	400.2	P
Cell #32	45	4.18	1	400.6	P
Cell #33	45	4.19	1	400.5	P
Cell #34	45	4.18	1	400.5	P
Cell #35	45	4.17	1	400.2	P
<b>Samples charged at charging temperature lower limit (0°C)</b>					
Cell #36	0	4.12	1	400.4	P
Cell #37	0	4.11	1	400.6	P
Cell #38	0	4.13	1	400.2	P
Cell #39	0	4.12	1	400.2	P
Cell #40	0	4.13	1	400.1	P

**Supplementary information:**

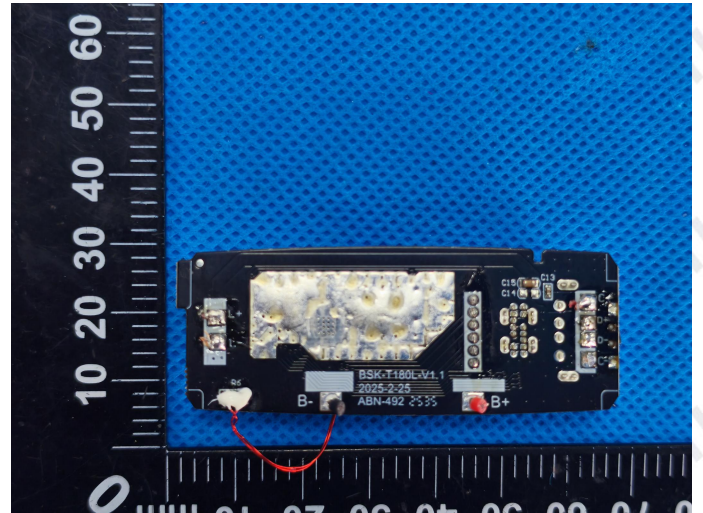
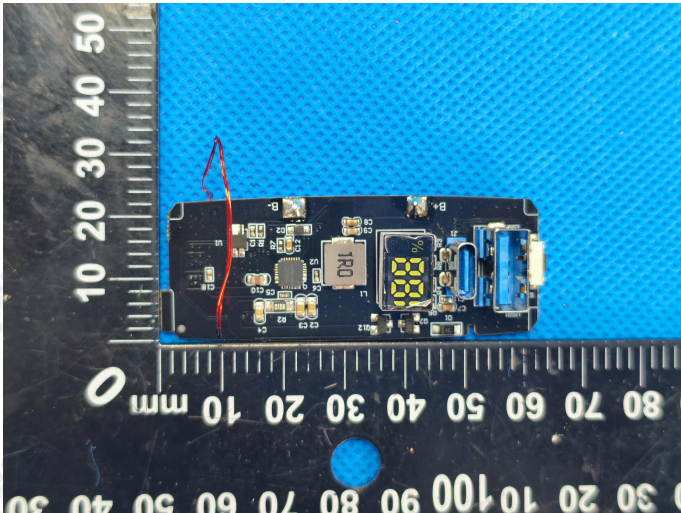
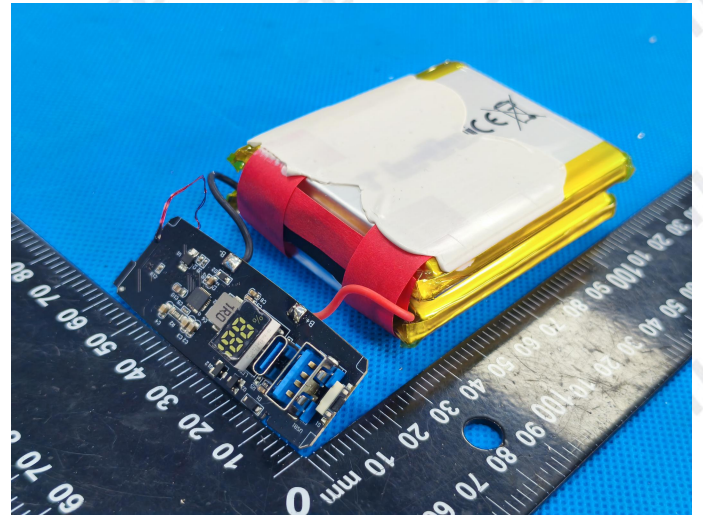
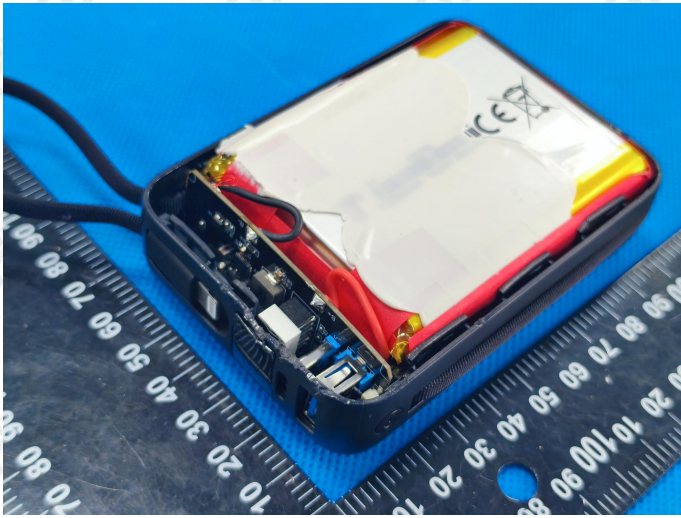
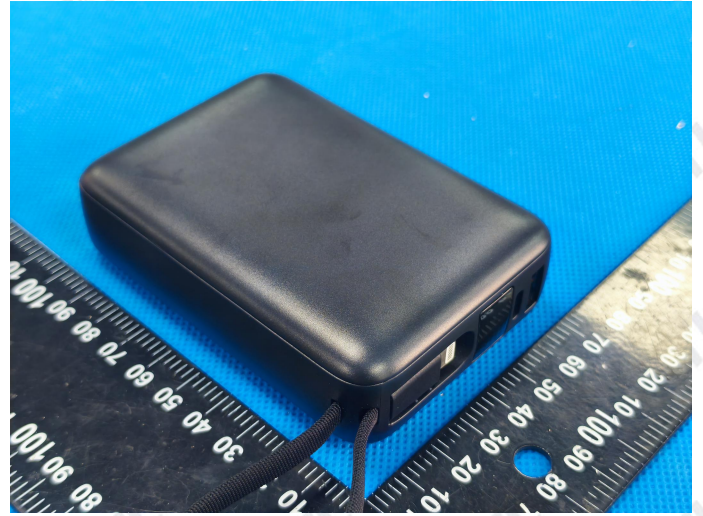
<sup>1)</sup> Identify one of the following:

- 1: Nickel particle inserted between positive and negative (active material) coated area.
- 2: Nickel particle inserted between positive aluminium foil and negative active material coated area.

- No fire or explosion

D.2	TABLE: Internal AC resistance for coin cells				N/A
Sample no.	Ambient T (°C)	Store time (h)	Resistance Rac (Ω)	Results <sup>1)</sup>	
--	--	--	--	--	
--	--	--	--	--	
--	--	--	--	--	
<b>Supplementary information:</b> 1) Coin cells with internal resistance less than or equal to 3 Ω, see test result on corresponding tables 2)					

## Photos



--- End of Report ---